

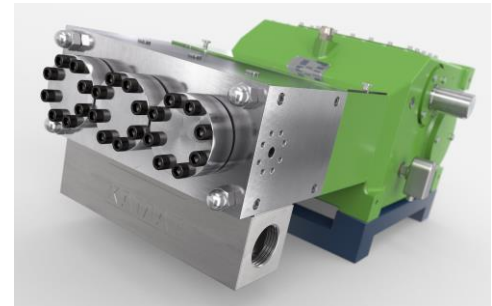
三柱塞泵 K 20000 – 3G

P 30-1

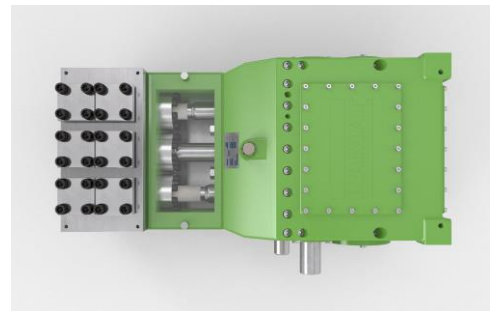
Triplex Plunger Pump

01.01.2017

- 流量基于100%的容积效率和20°C的环境温度
- 最小入口压力取决于流体介质
- 速度范围10-100%取决于连杆力
- 动态平衡齿轮
- 喷射润滑齿轮
- 标准减速比 $i = 3,33 - 3,50 - 4,04 - 4,62 - 5,44$
- 适用API 674标准
- 根据要求, 可以使用特殊介质, 例如海水, 乙二醇, 甲醇, 油等



- Flow rate is based on 100% volumetric efficiency and 20°C ambient temperature
- min. inlet pressure depending on fluid medium
- Speed range 10-100% depending on rod force
- Gear dynamically balanced
- Gear with splash lubrication
- Standard gear ratios $i = 3,33 - 3,50 - 4,04 - 4,62 - 5,44$
- Also available to API 674
- Special medium such as sea water, glycol, methanol, oils, etc. on request



$n_{nom} = 375 \text{ 1/min}$		p max. bar @ kW				Kopftyp / Head type		
Typ / Type	l/min	110 kW	132 kW	160 kW	200 kW	A	M	MC
K 20018 – 3G	34	1700	2040	2470	2800	1		
K 20020 – 3G	42	1375	1650	2000	2500	1		
K 20022 – 3G	51	1120	1350	1630	2000	1		
K 20024 – 3G	61	940	1125	1360	1700	1		
K 20026 – 3G	72	820	965	1160	1410	1		
K 20028 – 3G	83	720	855	1015	1215	1		
K 20030 – 3G	95	630	755	900	1060	1		H
K 20032 – 3G	109	555	660	800	930	1		H
K 20036 – 3G	137	435	525	635	735	1		H
K 20040 – 3G	170	355	420	510	595	1		H
K 20045 – 3G	215	270	325	390	470	1	1	H
K 20050 – 3G	265	210	255	310	380	1	1	H
K 20055 – 3G	321	175	210	255	315		1	1
K 20060 – 3G	382	150	180	215	265		1	1
K 20065 – 3G	448	125	150	185	225		1	1
K 20070 – 3G	519	110	130	160	195			1
K 20075 – 3G	596	95	115	140	170			1
K 20080 – 3G	678	85	100	120	150			1
K 20085 – 3G	766	75	90	105	130			1
K 20090 – 3G	858	65	80	100	120			1
K 20095 – 3G	957	60	75	90	105			1

API 674 = max. 320 1/min

= Ultra High Pressure UHP

北京大杨金石机械有限公司

北京朝阳区东三环北路2号南银大厦7层812, 传真: 4008266163-31616; 电话: 139 1065 4471; www.dayanggoldstone.com
email: information@dayanggoldstone.com 保留技术变更的权力。

尺寸图 K 20000 – 3G

Dimension drawing

~ 940 kg

P 30-2

01.05.2017

